



Bays Verification Report to STU as on 12th April 2017

MERC Case No. 137 of 2016

The Tata Power Company Ltd. - Transmission, Mumbai.

Name of Receiving Station	Voltage Level	As in TPC-T Petition	Final nos. as per SLD	Remarks
Ambernath	110	12	12	
	22	22	22	
Backbay	220	7	7	
	110	12	12	
	33	24	26	Two Bus PT missed out
Bandra Kurla Complex	110	9	9	
	33	36	36	
Bhiyपुरी	110	1	1	
Borivli	220	14	14	
	110	19	19	
	33	29	29	
	22	37	37	
Carnac	220	4	4	
	110	17	16	One bay inadvertently added
	33	58	58	
	22	27	27	
Central Railway (Wadala)	110	4	2	2 Line PT inadvertently added
Chembur	110	10	10	
	22	32	31	1 bay inadvertently added
	11	4	4	
Davdi	110	7	7	
Dharavi	220	13	13	
	110	33	33	
	33	71	76	Incorrect cross count of 33 & 22 kV
	22	73	69	Incorrect cross count of 33 & 22 kV
Grant Road	110	5	5	
Bhokarpada (IXORA) Receiving Station	110	8	8	
	33	27	27	
Kalyan	110	16	16	
	22	21	21	
Kolshet Receiving Station	110	7	7	
	22	16	16	
Mahalaxmi	220	8	8	
	110	15	15	
	33	30	30	
	22	30	30	
Malad	110	13	13	
	22	37	37	
Mankhurd	110	14	9	
	22	15	15	
MSETCL Receiving Station Borivali and Kalwa	220	4	4	
Panvel	110	4	4	
	22	9	9	
Parel	110	21	21	
	33	36	36	
	22	41	41	
	7	28	28	
Powai	110	10	10	
	33	27	27	
Sahar Receiving Station	220	9	9	
	33	40	40	
Saki	220	9	9	
	110	10	10	
	33	25	25	
	22	53	57	Erroneously missed out
Salsette Receiving Station	220	15	15	
	110	21	23	2 PT missed out from New GIS
	22	33	33	
Trombay	220	5	5	
Versova	110	4	7	2 Line PT inadvertently added
	33	20	20	
Vikhroli	110	10	10	
	22	40	40	

verified by  
ST

Executive Engineer  
STU (Regulatory)

M.S.E.T.C.L.

S.P. Date 20/4/17

*Signature*  
P.D. Ganikwad

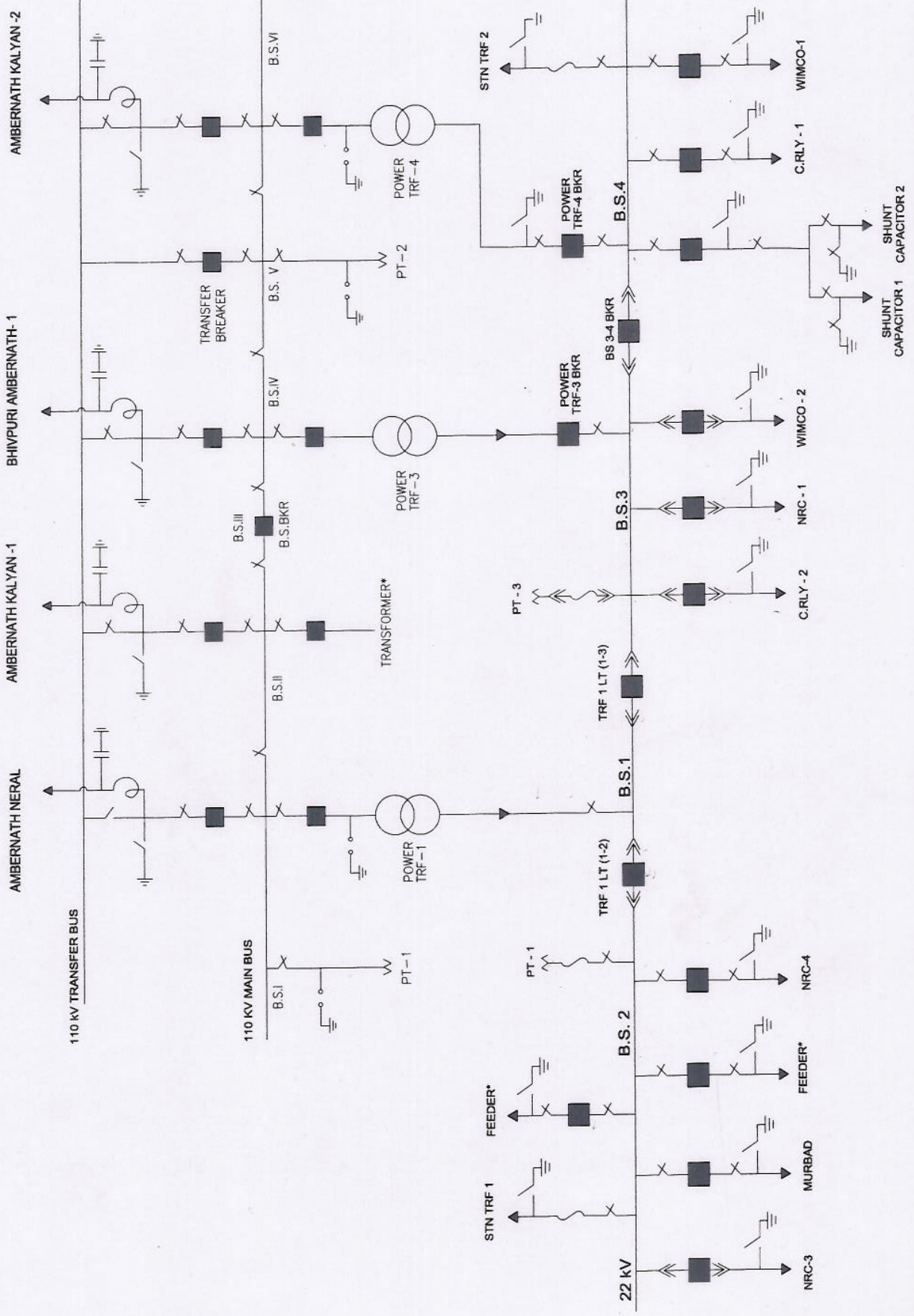




**THE TATA POWER COMPANY LIMITED**  
**TATA AMBERNATH RECEIVING STATION**  
**MASTER SLD**

DATE: 29-01-2017 PREPARED BY: Pravin Gaikwad

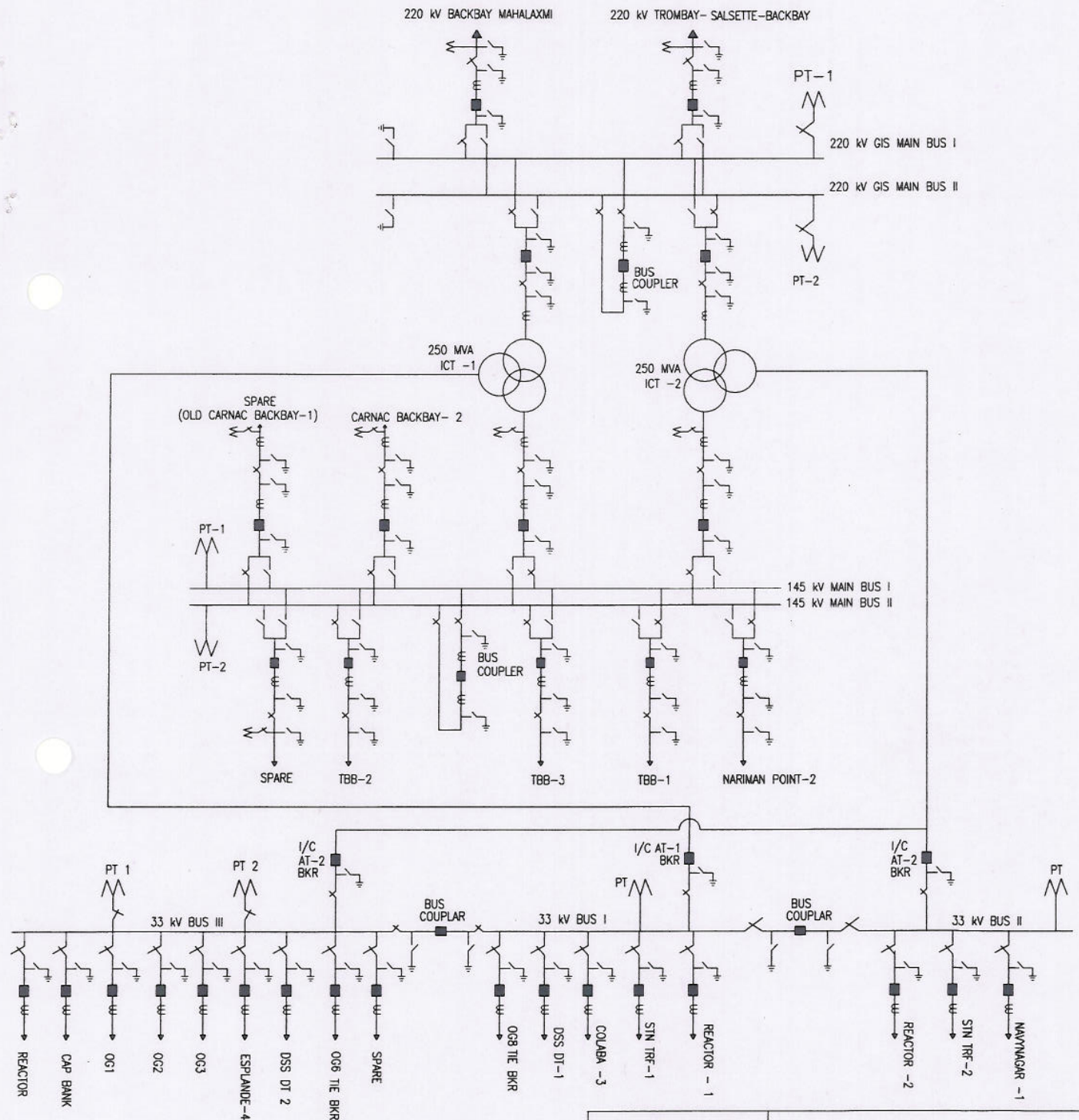
DESIGNED BY: N. K. SAJJIVAN  
 APPROVED BY: S. G. BHANGAONKAR



501/9



# THE TATA POWER COMPANY LIMITED BACKBAY RECEIVING STATION MASTER SLD



DATE:29-01-2017	PREPARED BY: Pravin Gaikwad
-----------------	-----------------------------

CHECKED BY: SUBHASH VETCHA
-------------------------------

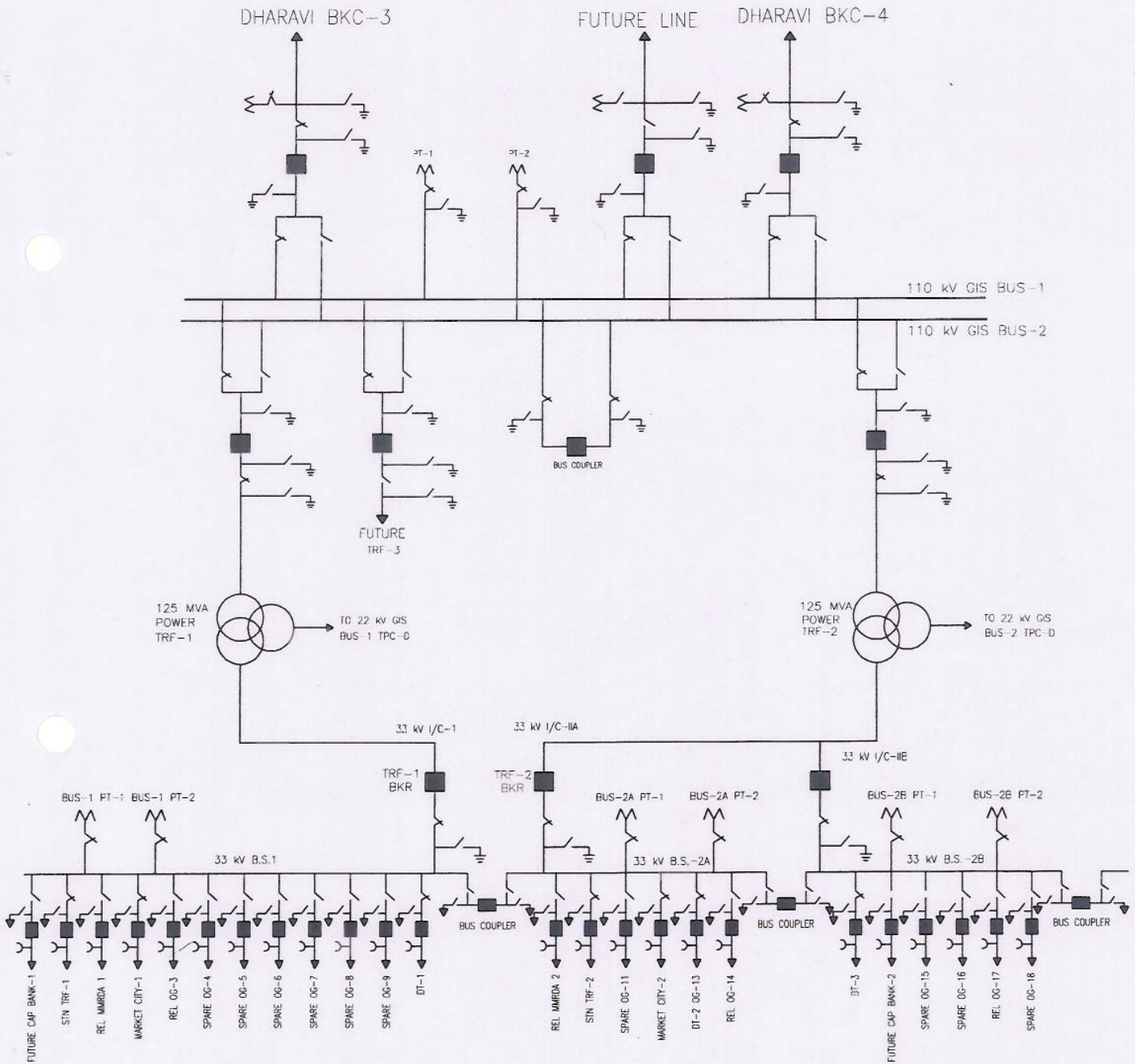
APPROVED BY: T. MURALEEDHARAN
----------------------------------



# THE TATA POWER COMPANY LIMITED

## BKC RECEIVING STATION

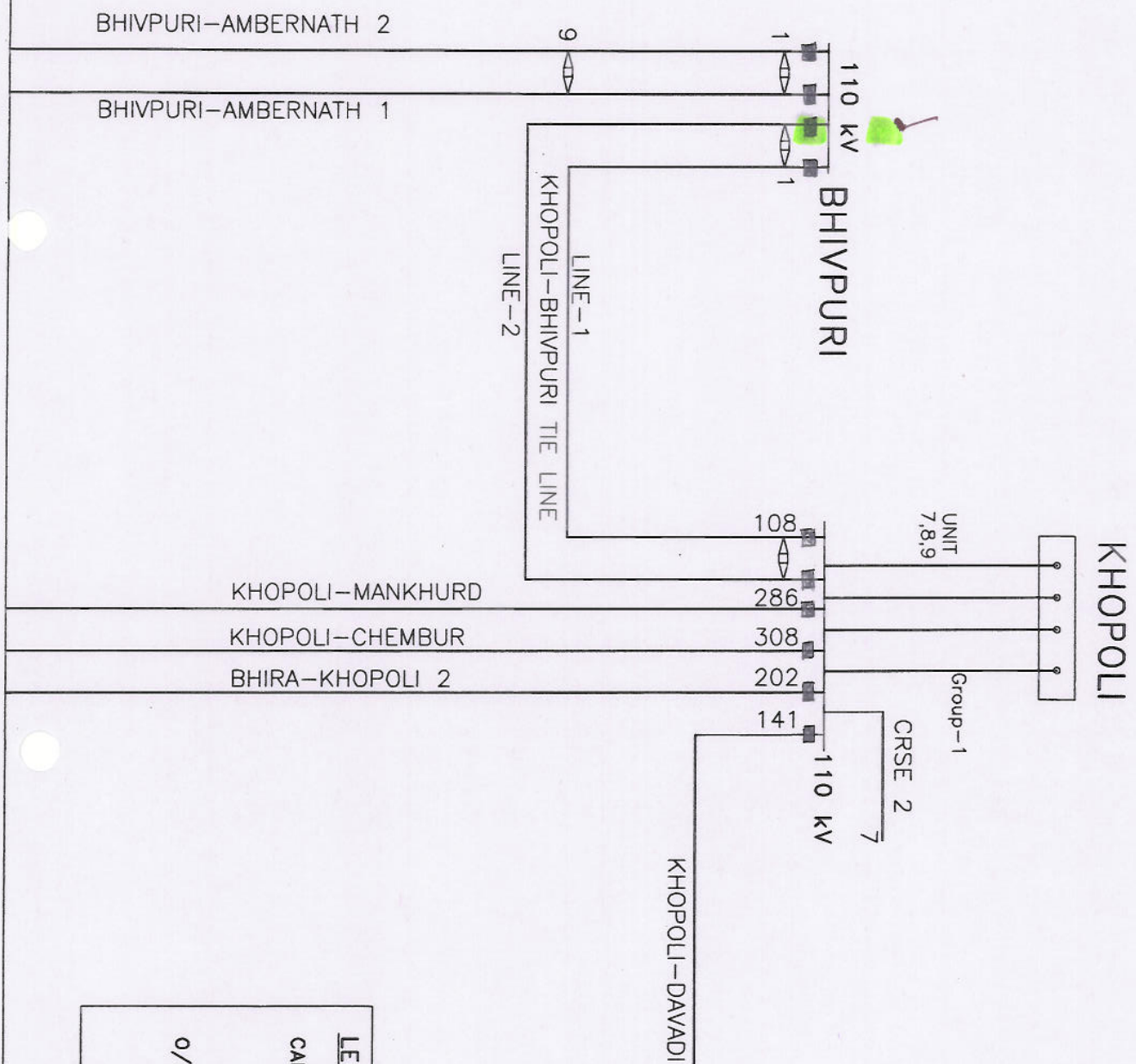
### MASTER SLD



DATE: 29-01-2017	PREPARED BY: Pravin Gaikwad
CHECKED BY: VIKAS BHONDVE	APPROVED BY: PRADEEP SAWANT

### Single Line Diagram of 110 kV Khopoli Bhivpuri Tie Line 2

~~XXXXXXXXXX~~



LEGEND-	
CABLE	22 kV -----
	110 kV -----
	220 kV -----
O/H LINES	22 kV -----
	110 kV -----
	220 kV -----

\* CROSS JUMPER

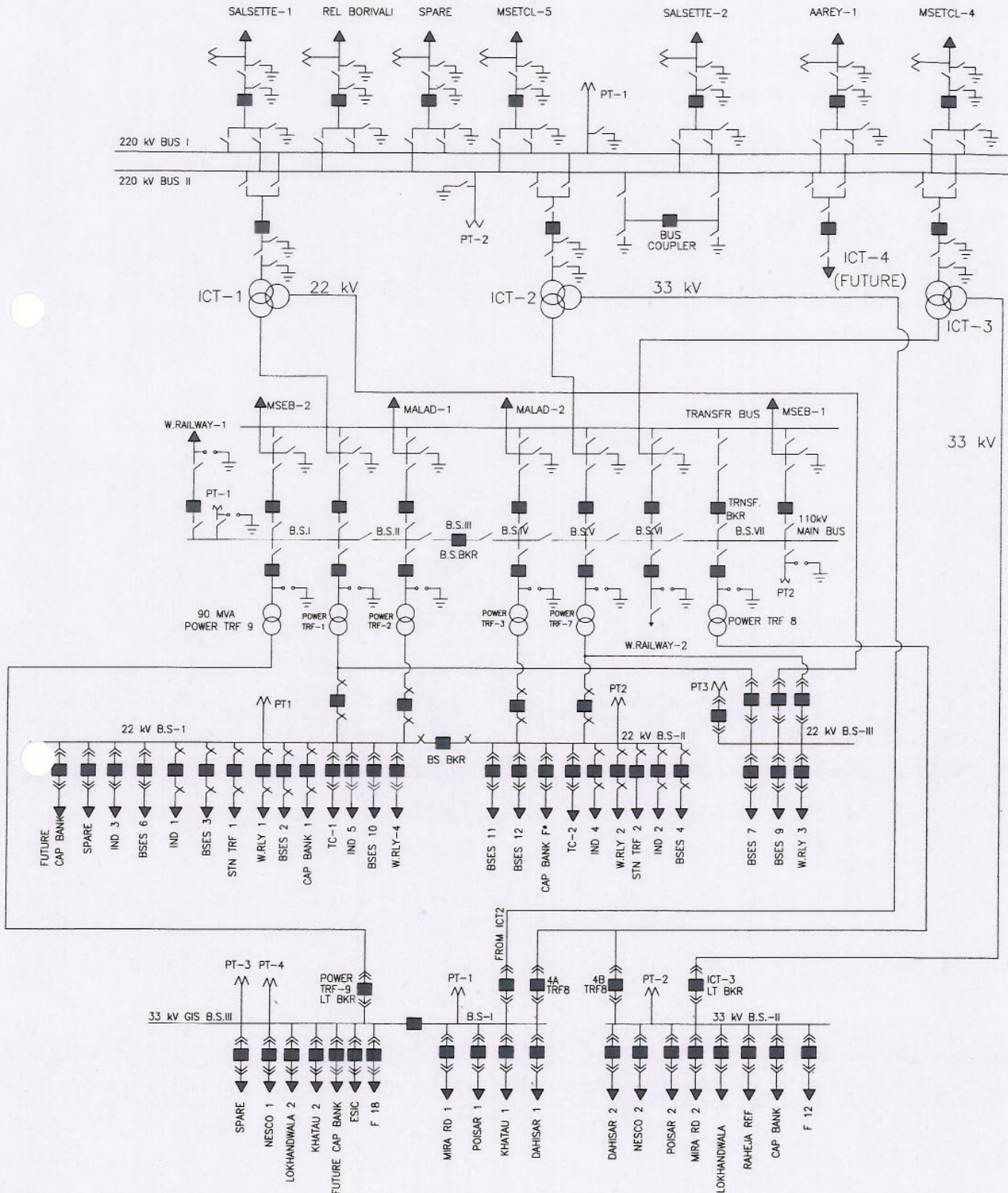
DATE:29-01-2017 PREPARED BY: Pravin Gaikwad

CHECKED BY:  
K K DATAR

APPROVED BY:  
K K RAO



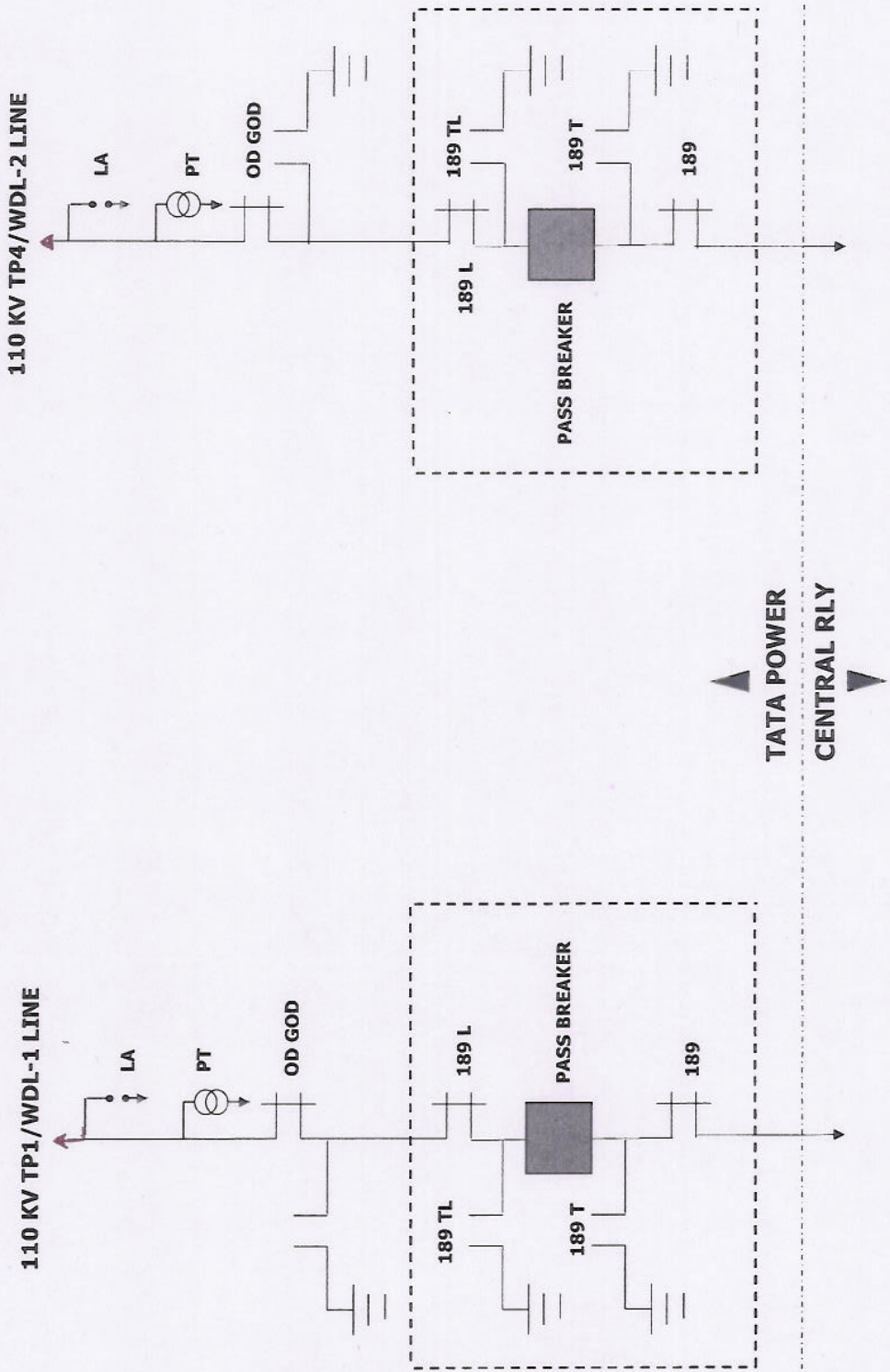
# THE TATA POWER COMPANY LIMITED BORIVLI RECEIVING STATION MASTER SLD





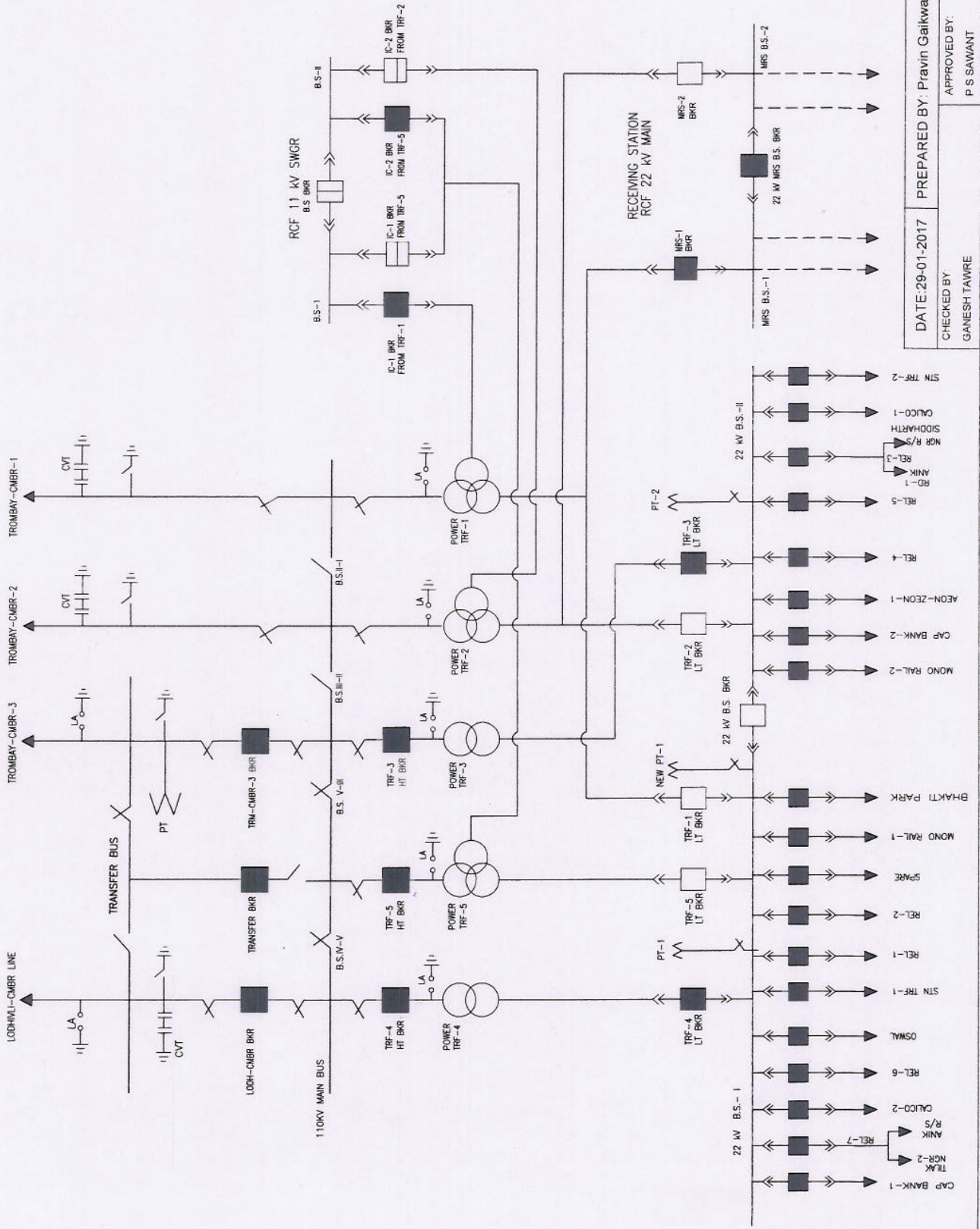


**110 KV WADALA TRACTION SUBSTATION**





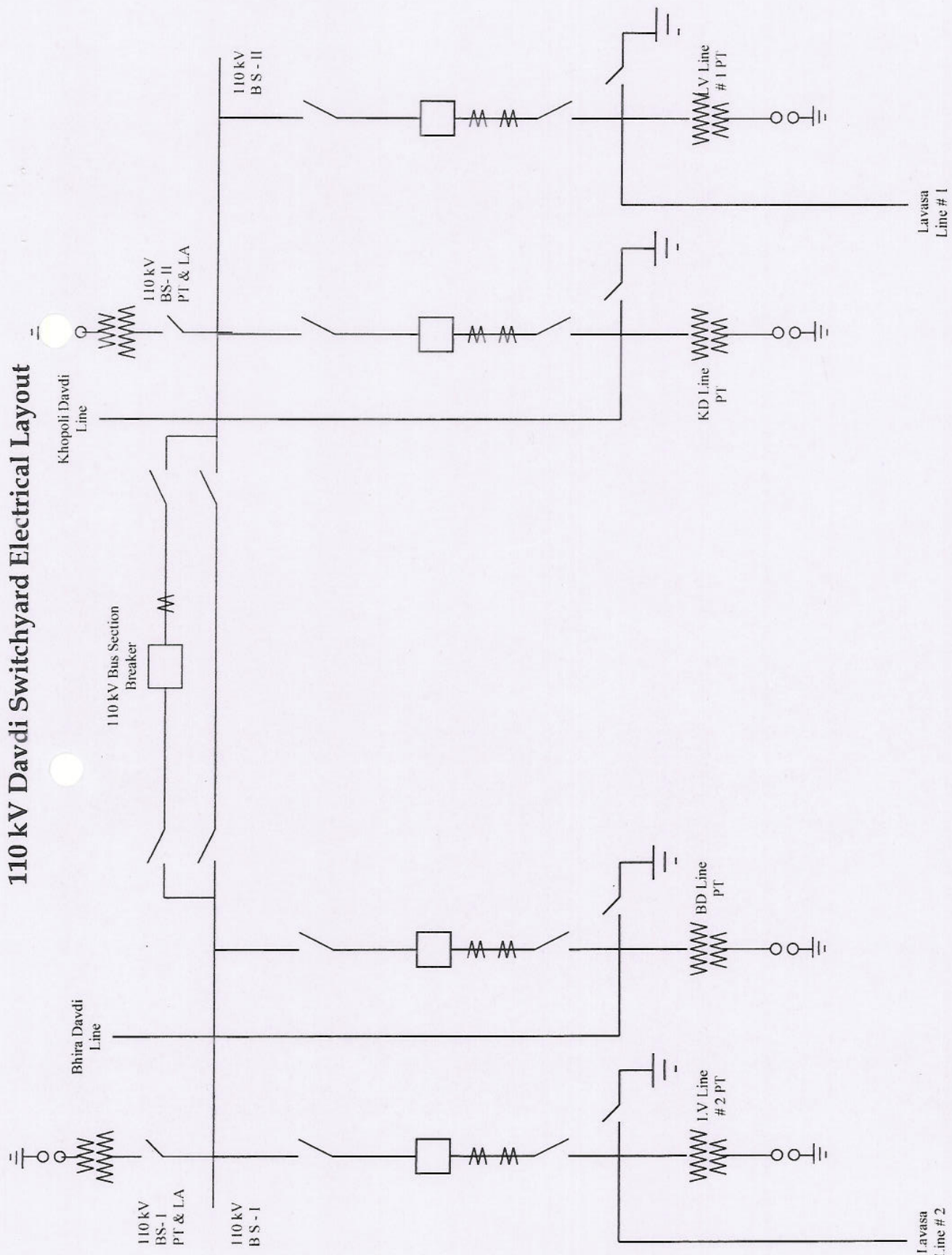
# THE TATA POWER COMPANY LIMITED CHELUR BUR RECEIVING STATION MASTER SLD



DATE: 29-01-2017  
 CHECKED BY: GANESH TAWRE  
 PREPARED BY: Pravin Gaikwad  
 APPROVED BY: P. S. SAWANT

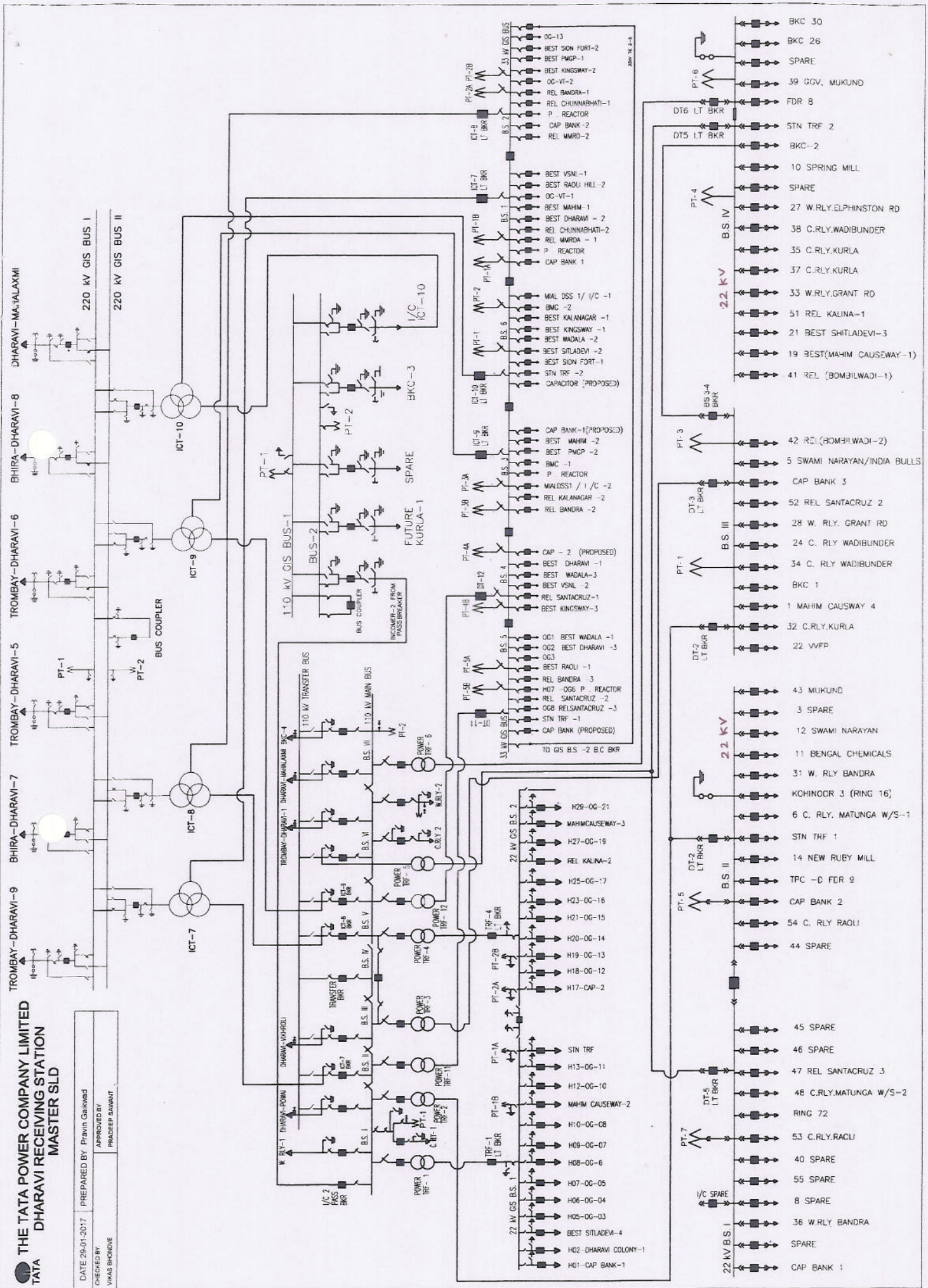
487/cy

# 110 kV Davdi Switchyard Electrical Layout



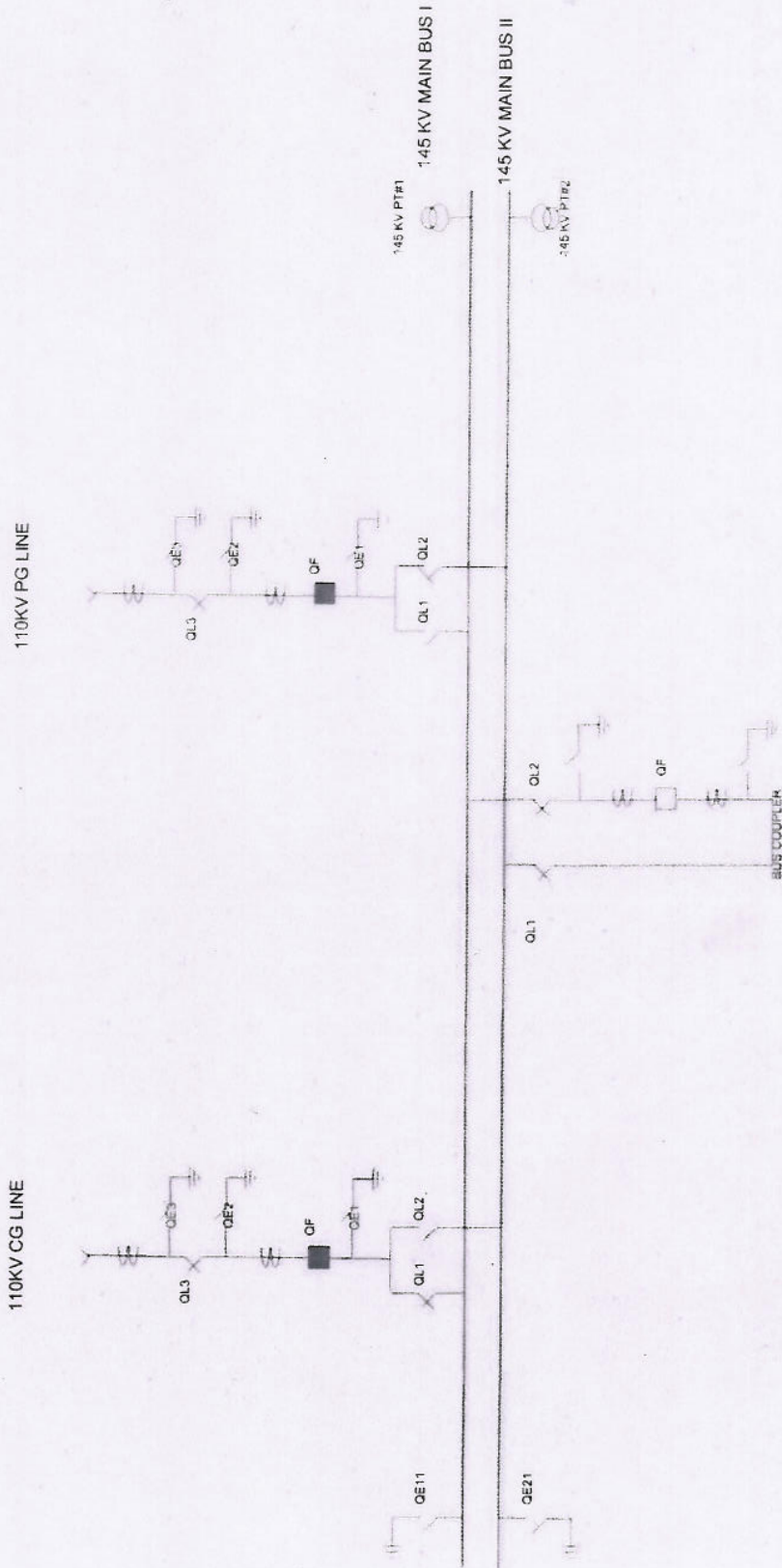
**THE TATA POWER COMPANY LIMITED**  
**TATA**  
**DHARAVI RECEIVING STATION**  
**MASTER SLD**

DATE 29-01-2017  
CHECKED BY VIKAS BHONDVE  
PREPARED BY PAVIN GAIKWAD  
APPROVED BY PRADEEP RAMANT



THE TATA POWER CO. LTD.  
 SLD OF GRANT ROAD SIS

48114

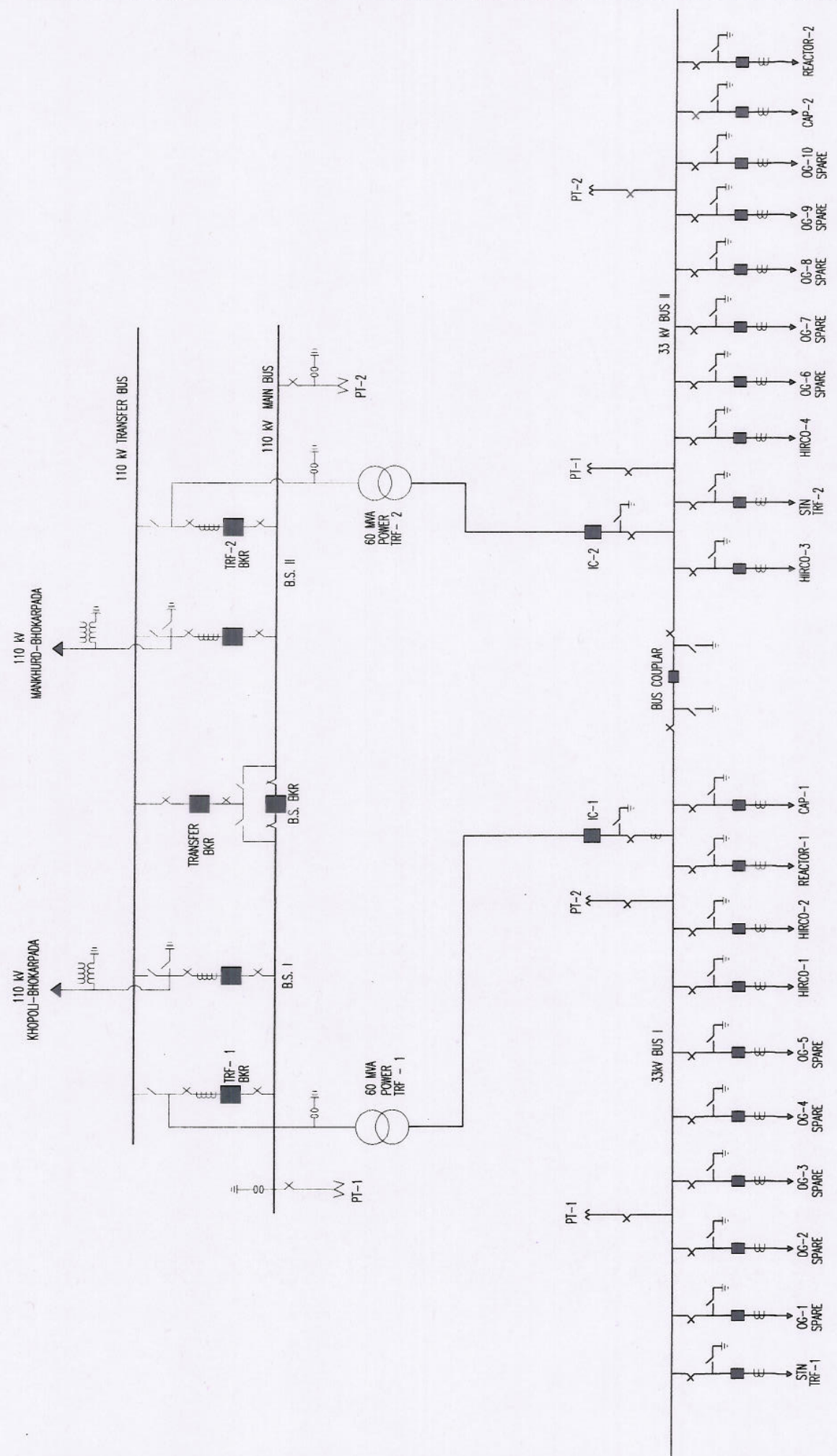


*Substation*  
 8.8.2019  
 Substation Voltage

The Tata Power Company Limited	
Central Research Station	
Single Line Diagram (SLD) 145KV	
Rev. No. R1	Approved by:
Prepared by: RPS	Checked by:
Created by:	



**THE TATA POWER COMPANY LIMITED**  
**TATA E. OKARPADA RECEIVING STATION**  
**MASTER SLD**



DATE: 29-01-2017  
 PREPARED BY: Pravin Gaikwad  
 CHECKED BY: M. D. PAIS  
 APPROVED BY: D. S. SAWANT

479/cj

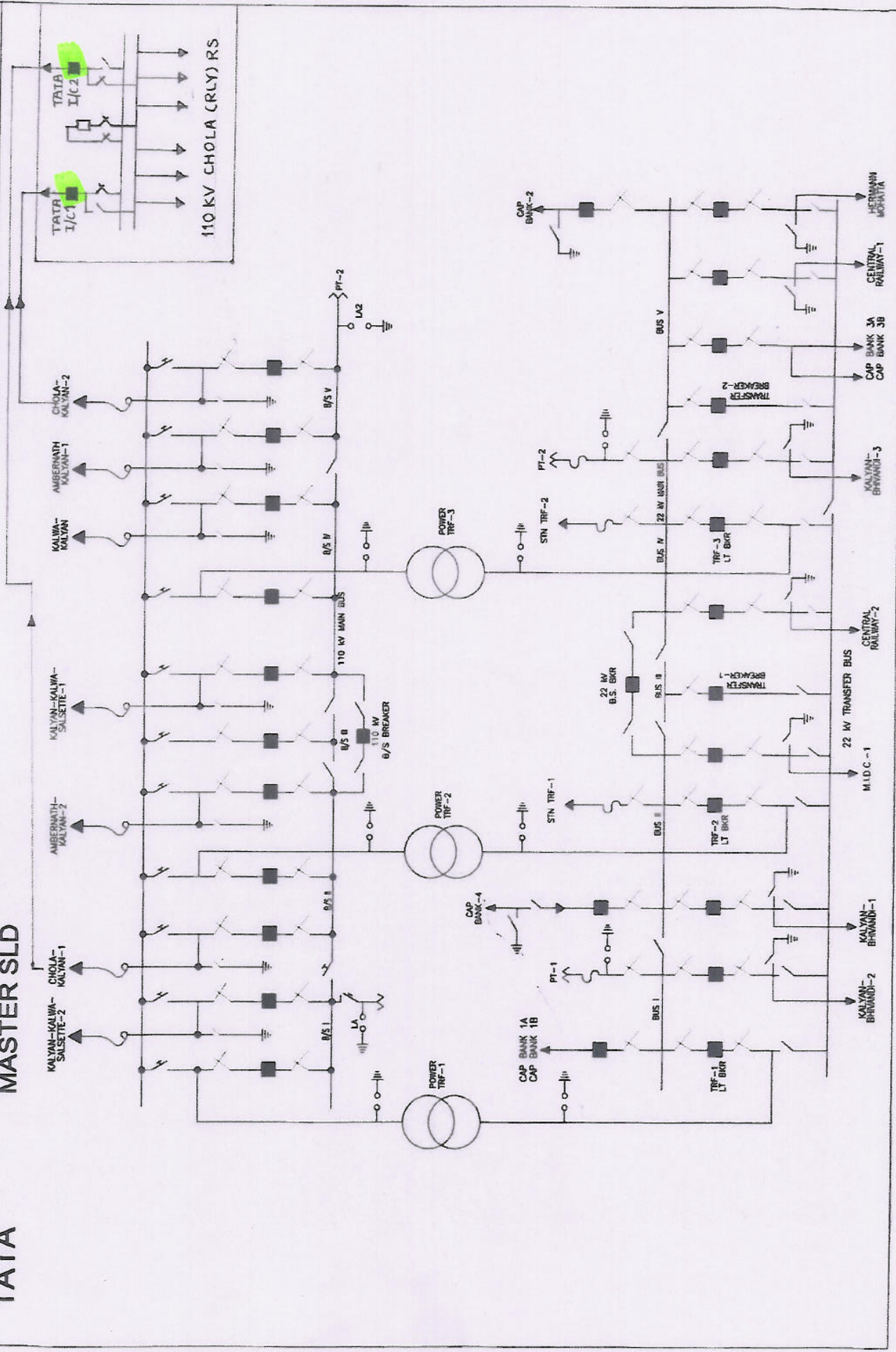
477/cj



# THE TATA POWER COMPANY LIMITED KALYAN RECEIVING STATION MASTER SLD

DATE: 29-01-2017  
CHECKED BY: K K SAJJAN  
APPROVED BY: S G BHANGAONKAR

PREPARED BY: Pravin Gaikwad





**THE TATA POWER COMPANY LIMITED**  
**KOLSHET RECEIVING STATION**  
**MASTER SLD**

DATE: 29-01-2017

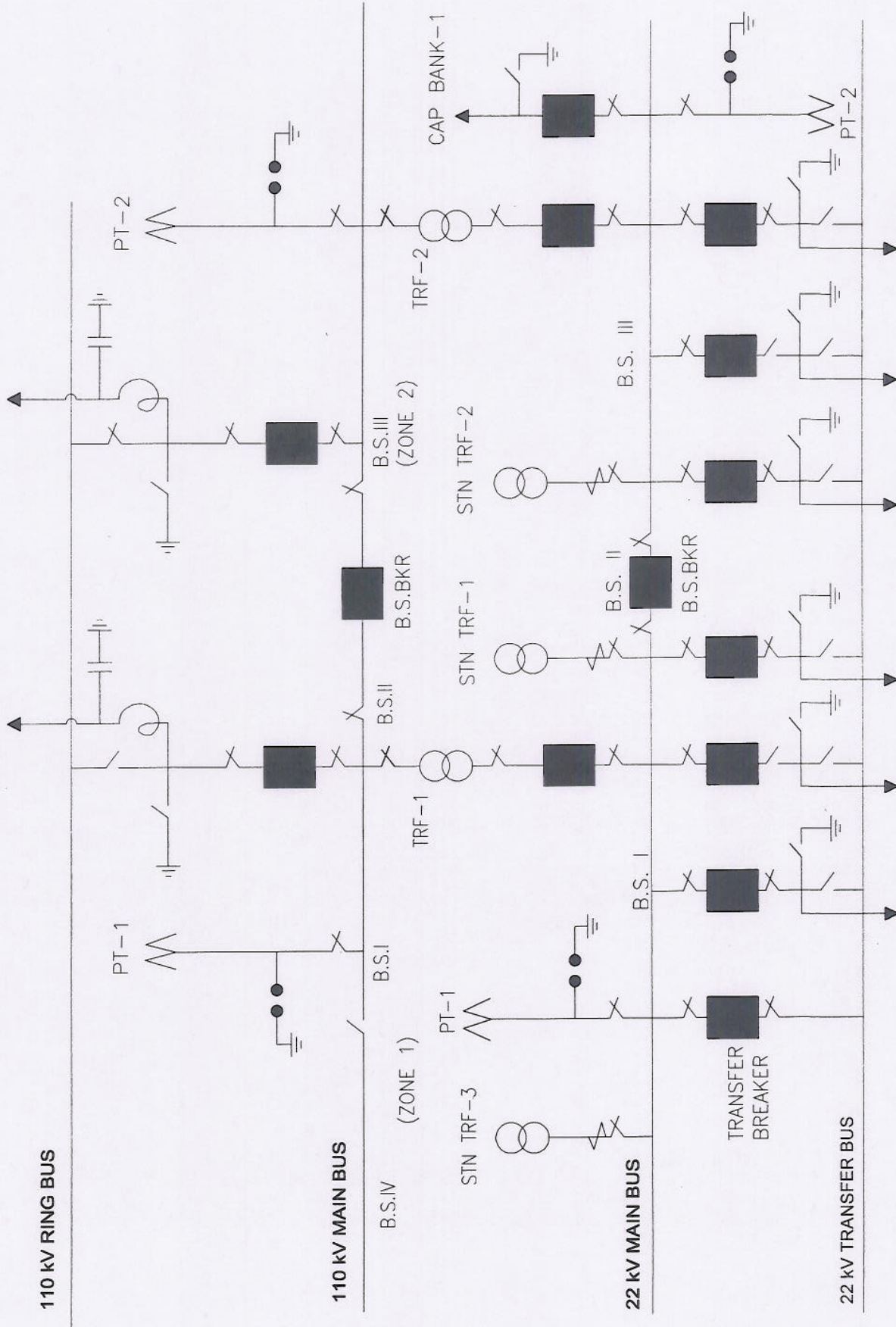
CHECKED BY:  
K. G. RAO

PREPARED BY: Pravin Galikwad  
 APPROVED BY:  
K. K. RAO

SALSETTE-KOLSHET

BMC-KOLSHET

110 KV RING BUS



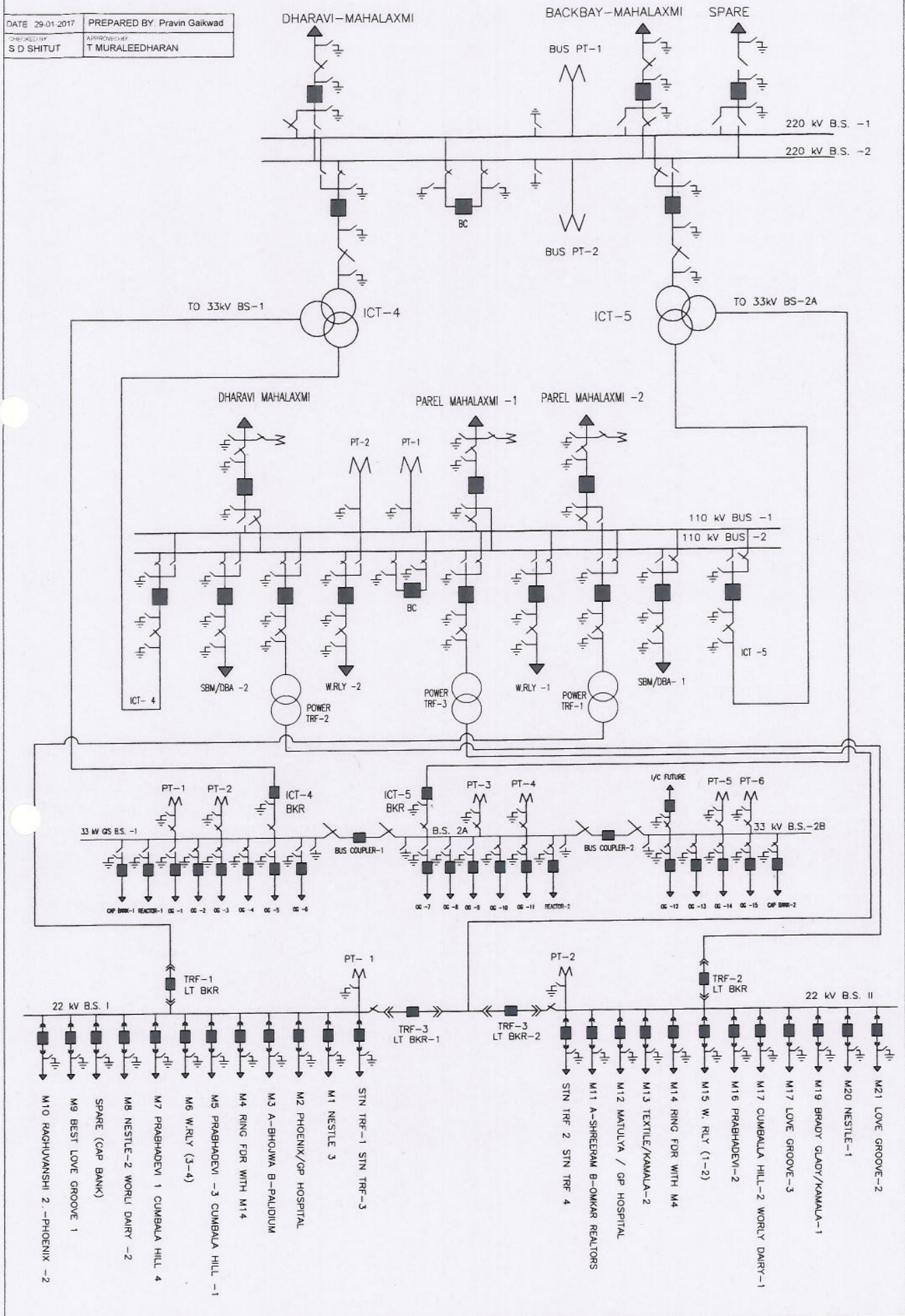
POKHRAN-1 THANA-2 KMKB-2 POKHRAN-2 THANA-1 KMKB-1

473/4

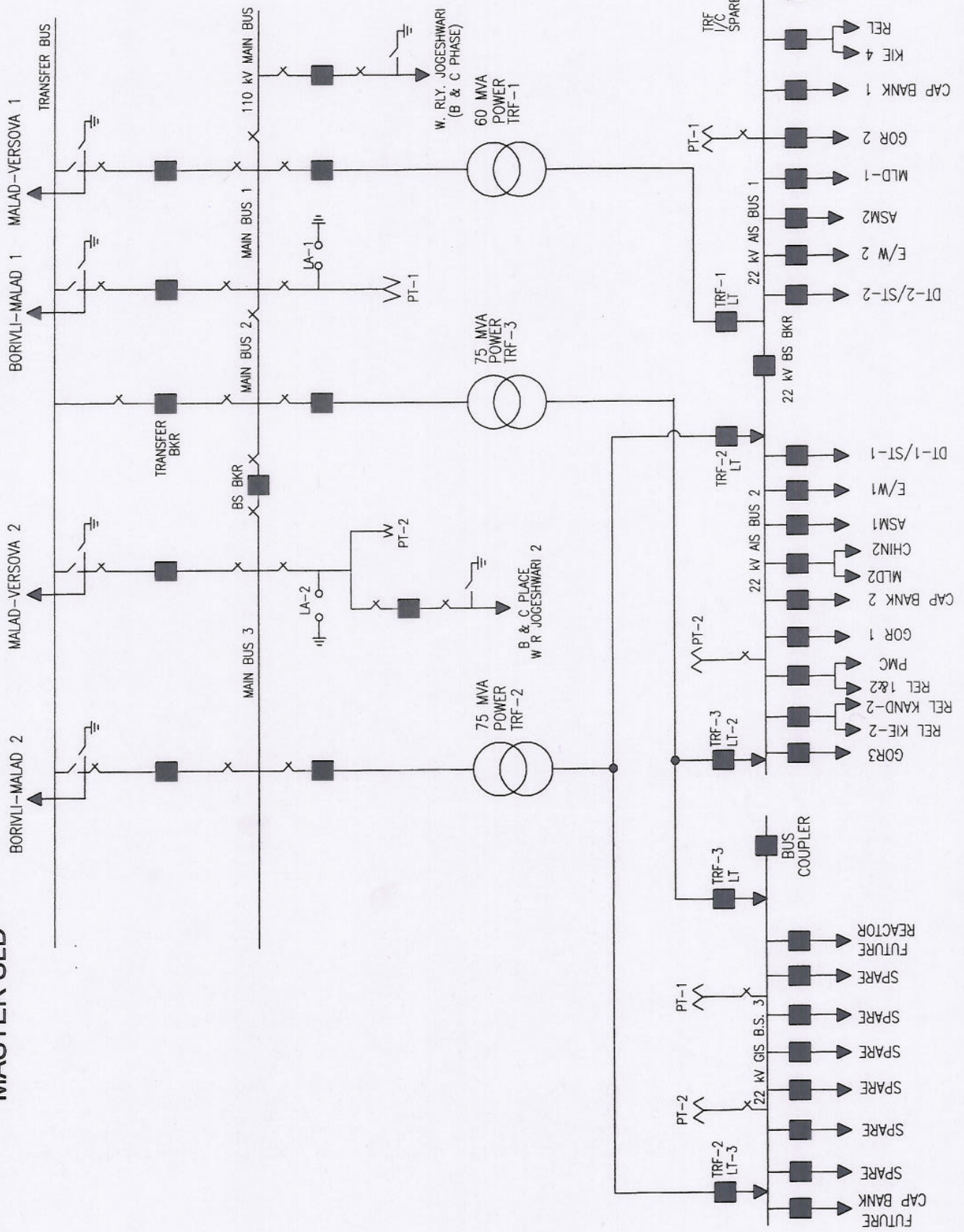


**THE TATA POWER COMPANY LTD**  
**TATA MAHALAXMI RECEIVING STATION**  
**MASTER SLD**

DATE 29-01-2017	PREPARED BY Pravin Gaikwad
CHECKED BY S D SHITUT	APPROVED BY T MURALEEDHARAN



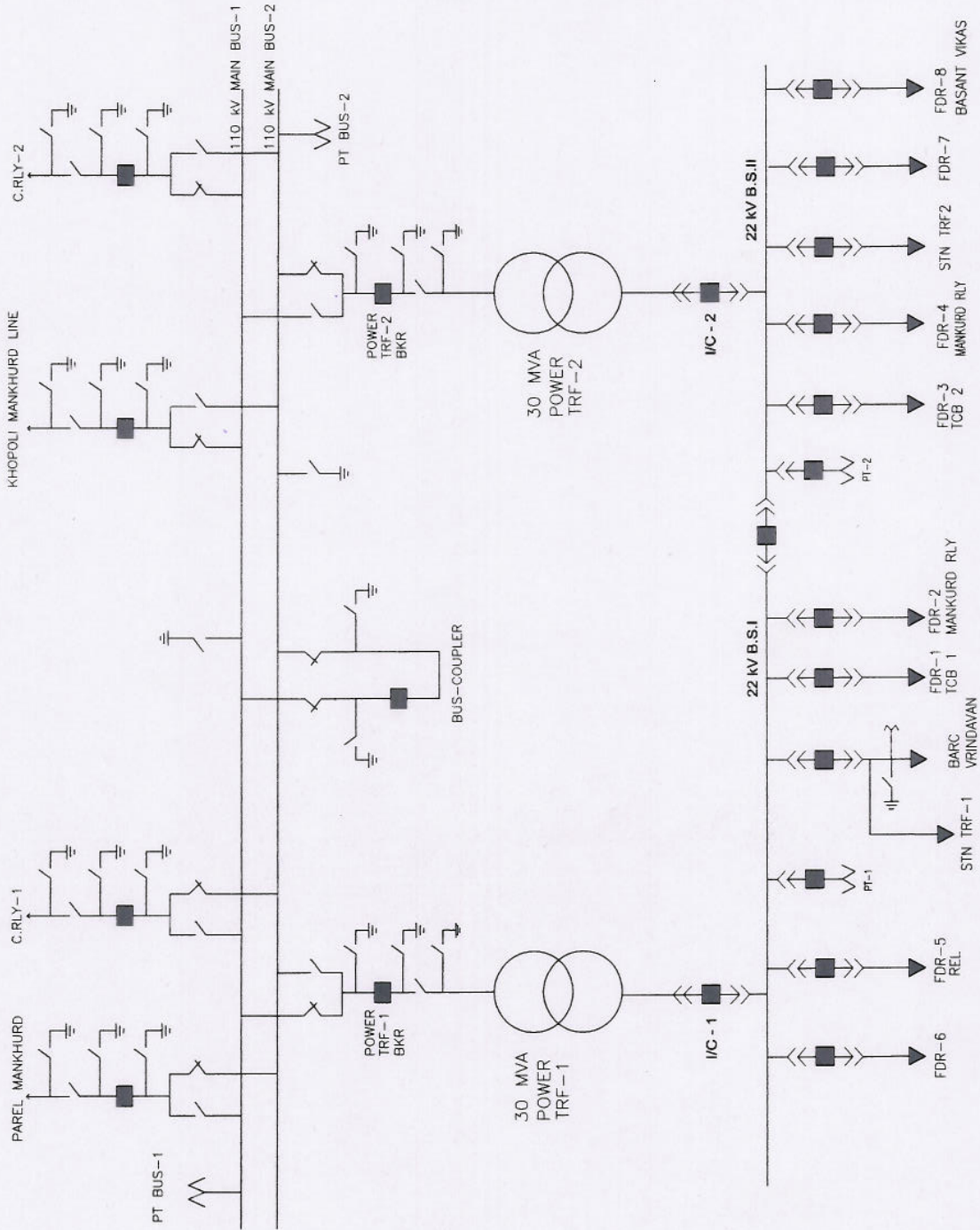
DATE: 20-01-2017  
 PREPARED BY: Pravin Gaikwad  
 CHECKED BY: K.K.DA'AR  
 APPROVED BY: K.K.RAO



6/1/17



**THE TATA POWER COMPANY LIMITED**  
**MANKURD RECEIVING STATION**  
**MASTER SLD**



DATE: 29-01-2017

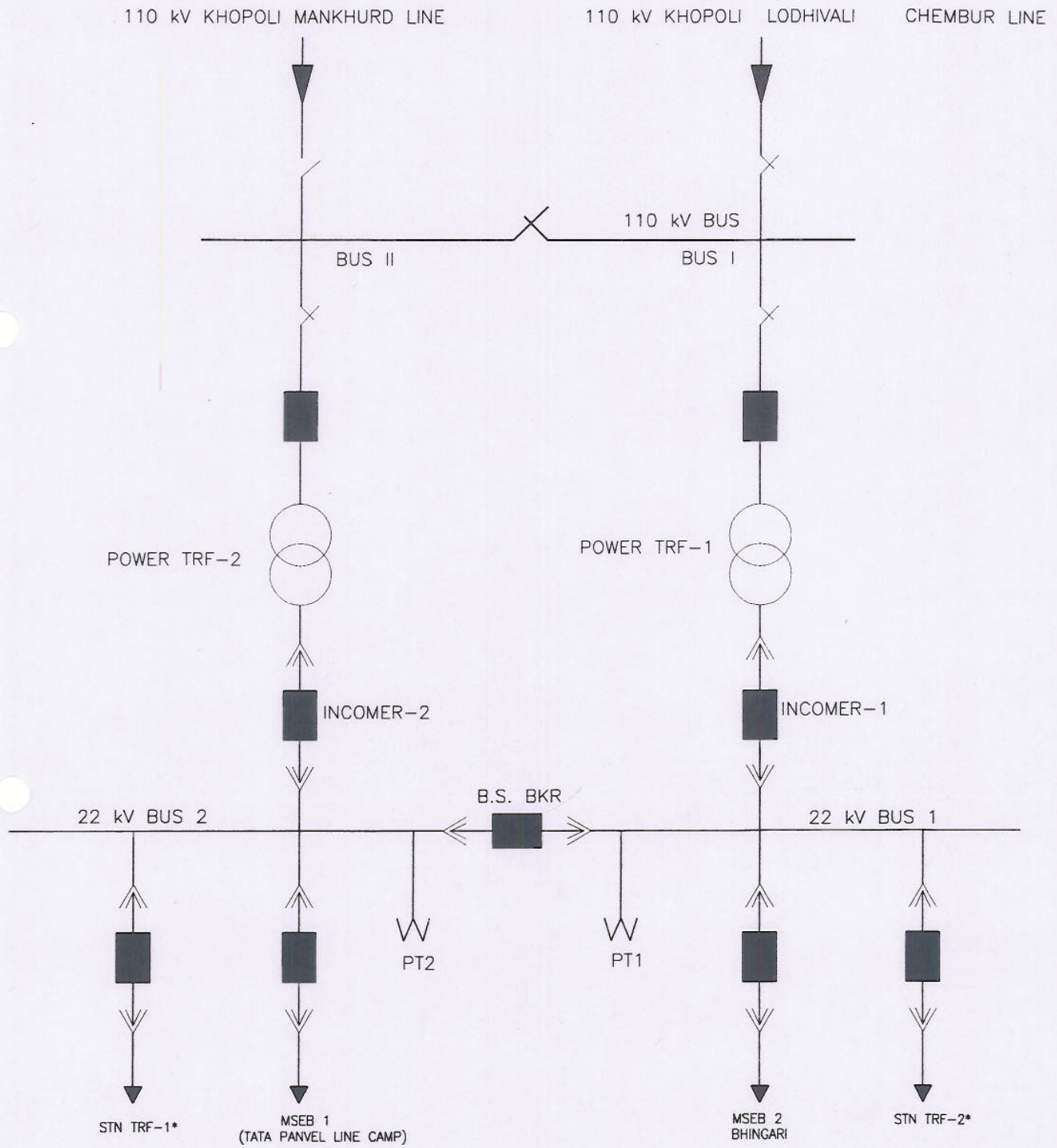
CHECKED BY: M D DIAS  
 APPROVED BY: PRADEEP SAWANT

PREPARED BY: Pravin Gaikwad

APPROVED BY: PRADEEP SAWANT

4/9/17

**TATA** THE TATA POWER COMPANY LIMITED  
**PANVEL RECEIVING STATION**  
**MASTER SLD**



DATE: 29-01-2017	PREPARED BY: Pravin Gaikwad
CHECKED BY: K K SAJIVAN	APPROVED BY: S G BHANGAONKAR

46519



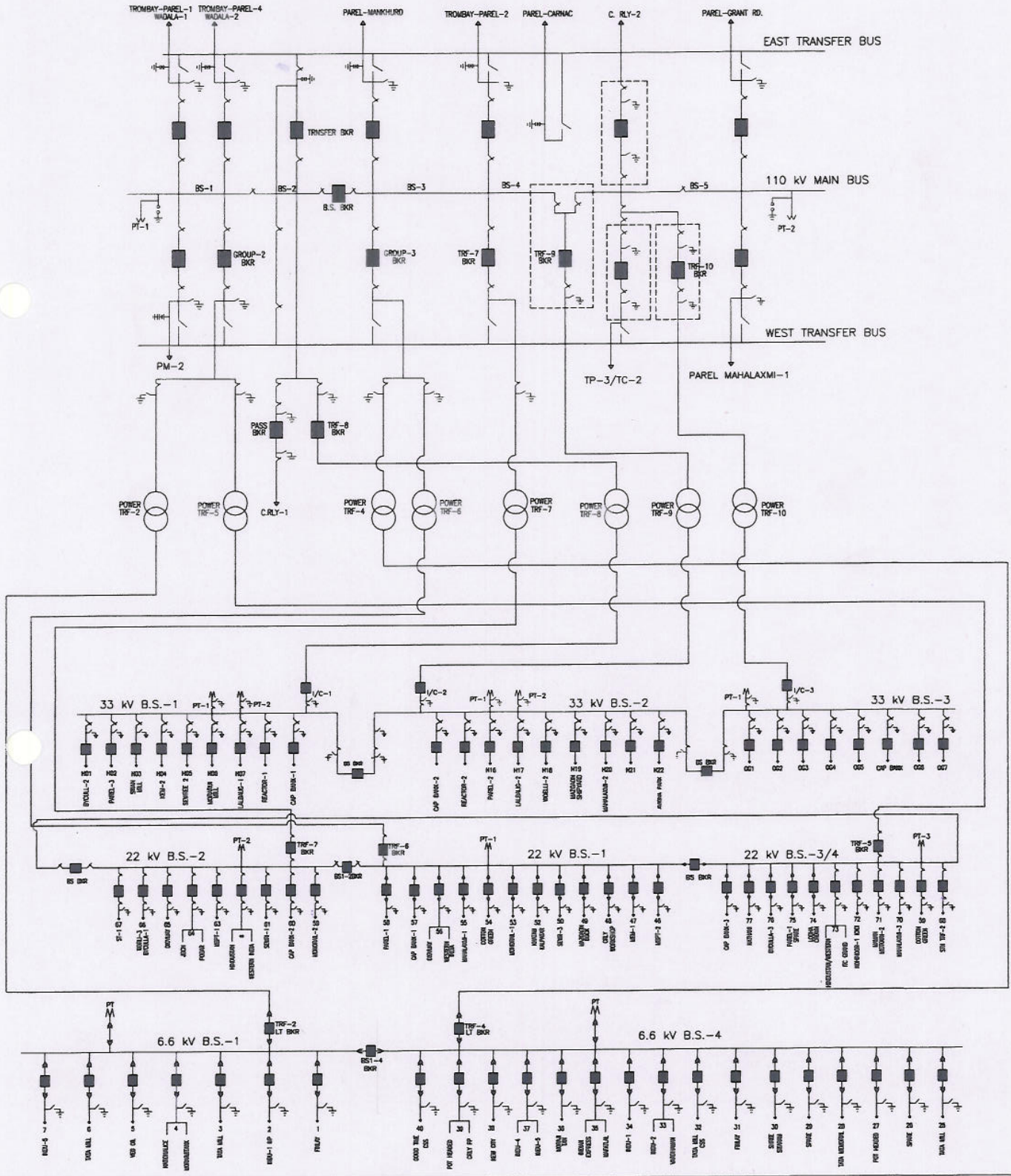
# THE TATA POWER COMPANY LIMITED PAREL RECEIVING STATION MASTER SLD

DATE-29-01-2017

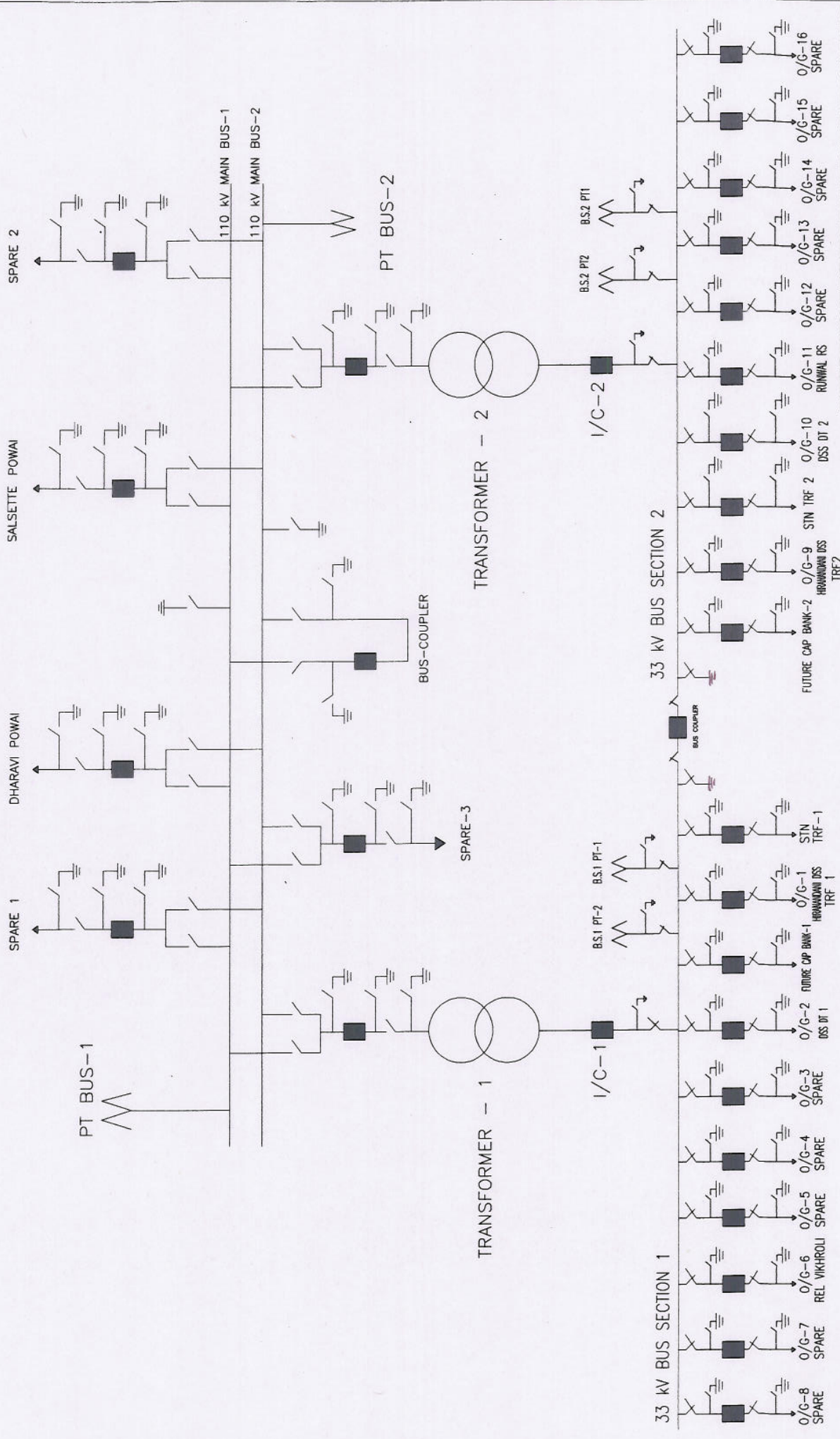
PREPARED BY: Pravin Gaikwad

CHECKED BY:  
S D SHITUT

APPROVED BY:  
T MURALEEDHARAN



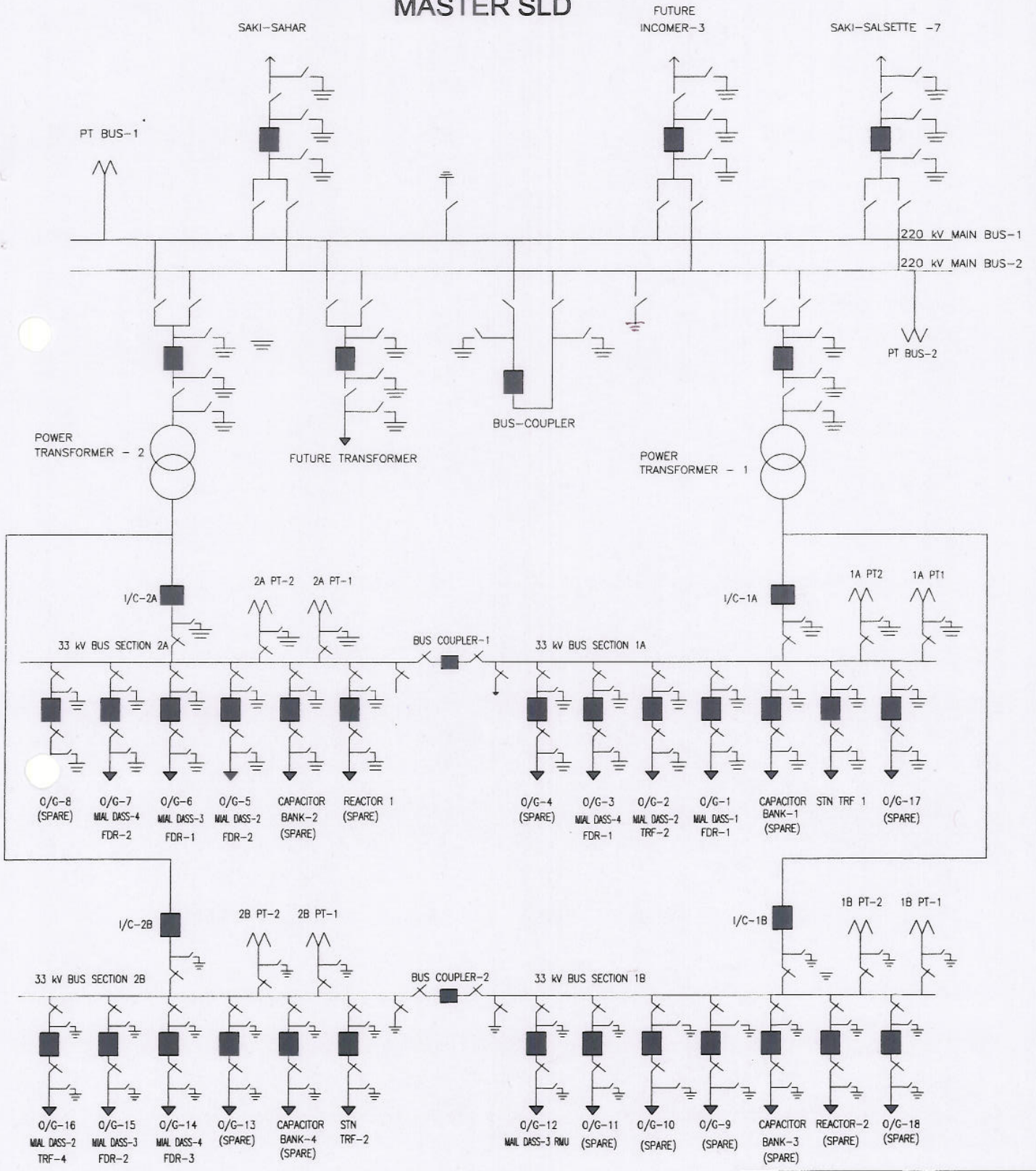
**THE TATA POWER COMPANY LIMITED**  
**TATA POWAI RECEIVING STATION**  
**MASTER SLD**



DATE: 29-01-2017	PREPARED BY: Pravin Galikwad
CHECKED BY: D. RAVI KUMAR	APPROVED BY: K. K. RAO

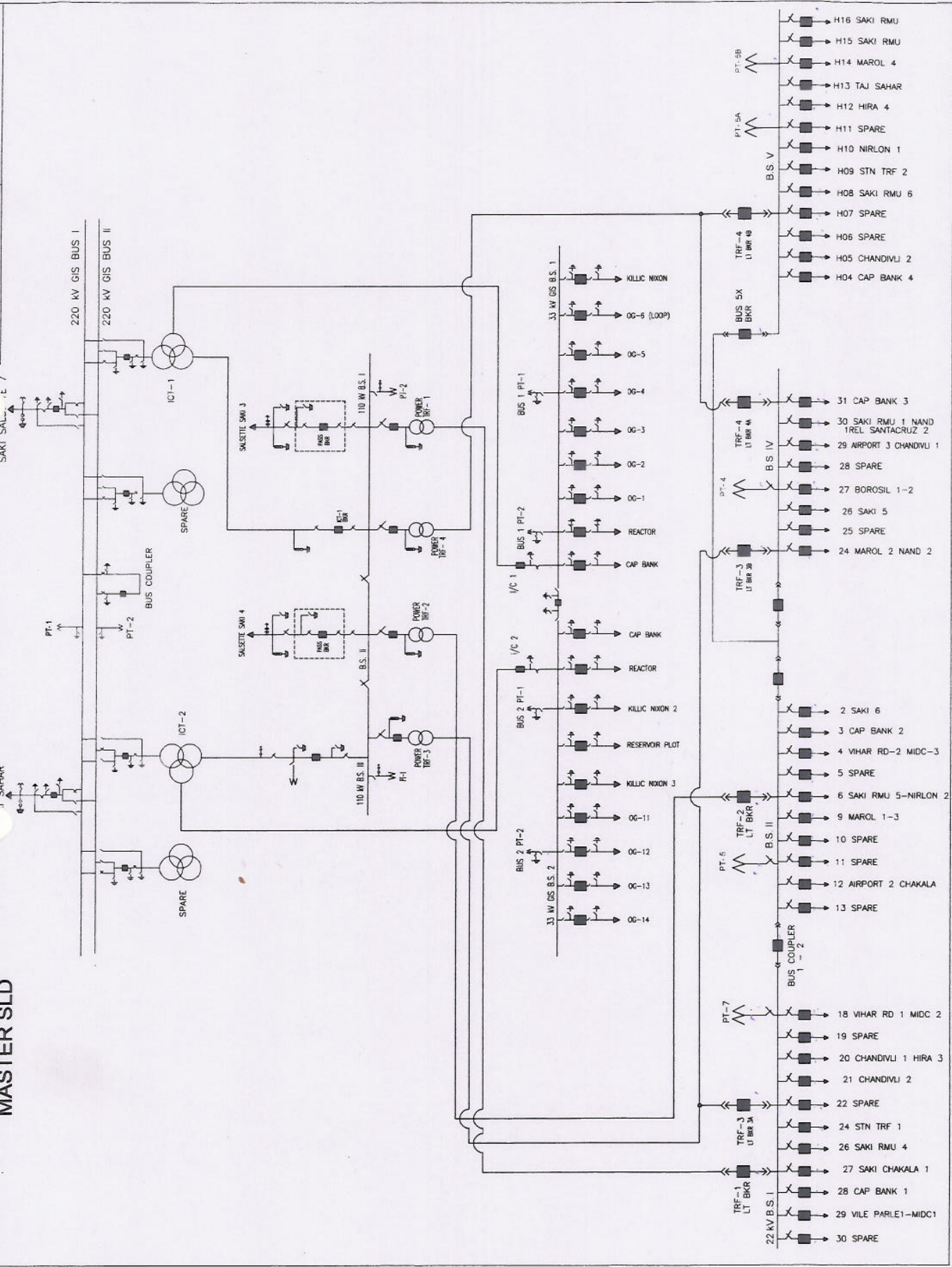
461/9

**THE TATA POWER COMPANY LIMITED**  
**TATA SAHAR RECEIVING STATION**  
**MASTER SLD**



DATE 29-01-2017	PREPARED BY Pravin Gaikwad
CHECKED BY D. RAJKUMAR	APPROVED BY K.K. RAO

DATE: 29-01-2017  
PREPARED BY: Pravin Gaikwad  
CHECKED BY: D RAVIKUMAR  
APPROVED BY: K K NAO



- H16 SAKI RMU
- H15 SAKI RMU
- H14 MAROL 4
- H13 TAJ SAHAR
- H12 HIRA 4
- H11 SPARE
- H10 NIRLON 1
- H09 STN TRF 2
- H08 SAKI RMU 6
- H07 SPARE
- H06 SPARE
- H05 CHANDIVLI 2
- H04 CAP BANK 4
- PT-5B
- B.S. V
- TRF-4 LT BKR 49
- BUS 5X BKR
- TRF-4 LT BKR 48
- B.S. IV
- PT-4
- TRF-3 LT BKR 38
- TRF-4 LT BKR 48
- 31 CAP BANK 3
- 30 SAKI RMU 1 NAND 1 REL SANTACRUZ 2
- 29 AIRPORT 3 CHANDIVLI 1
- 28 SPARE
- 27 BOROSIL 1-2
- 26 SAKI 5
- 25 SPARE
- 24 MAROL 2 NAND 2
- PT-4
- TRF-3 LT BKR 38
- B.S. II
- PT-5
- TRF-2 LT BKR 34
- BUS COUPLER 1-2
- PT-7
- TRF-3 LT BKR 34
- TRF-3 LT BKR 34
- 18 VIHAR RD 1 MIDC 2
- 19 SPARE
- 20 CHANDIVLI 1 HIRA 3
- 21 CHANDIVLI 2
- 22 SPARE
- 24 STN TRF 1
- 26 SAKI RMU 4
- 27 SAKI CHAKALA 1
- 28 CAP BANK 1
- 29 VILE PARLE1-MIDC1
- 30 SPARE
- 22 kV B.S. I



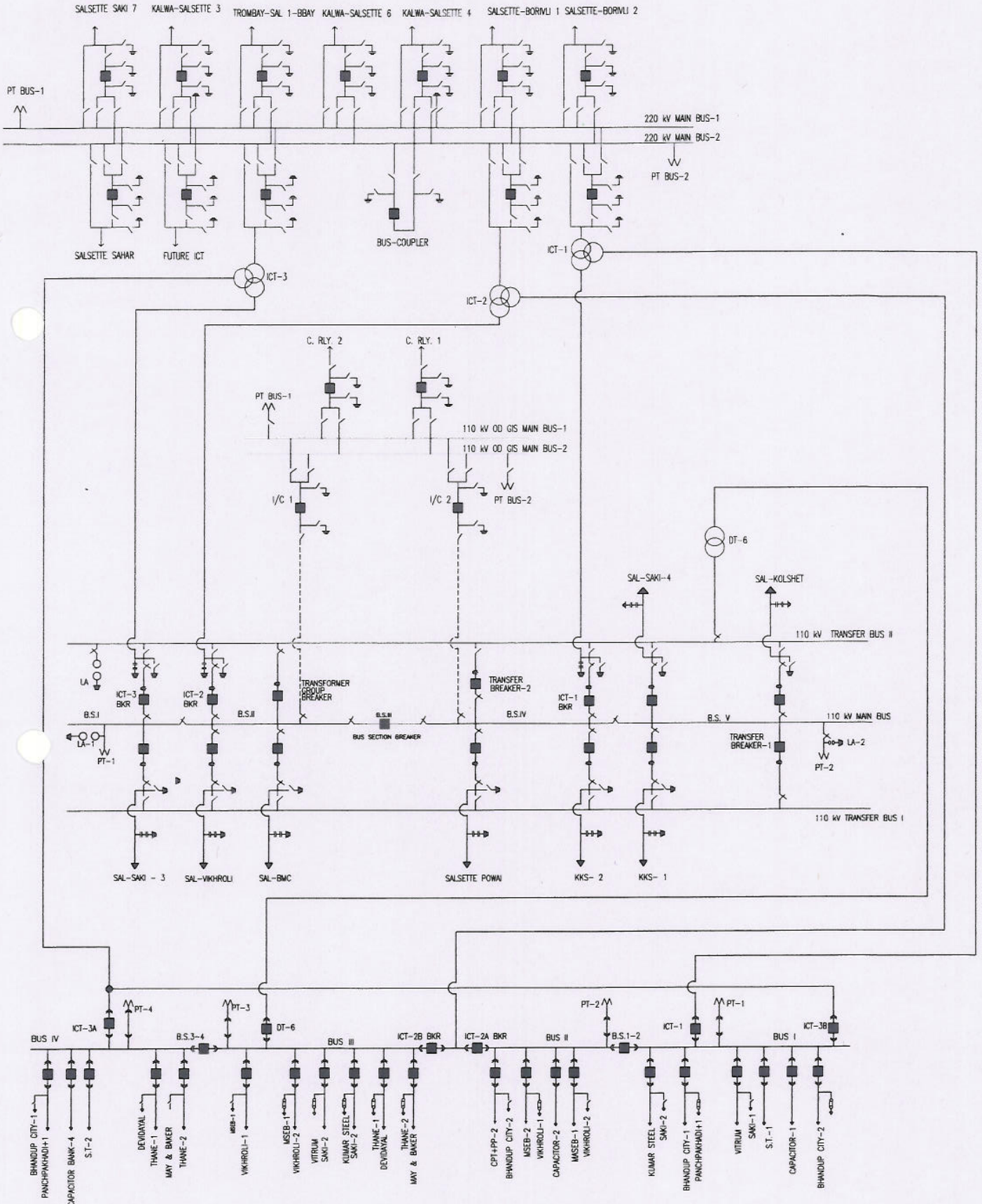
459/cj

**THE TATA POWER COMPANY LIMITED**  
**TATA SALSETTE RECEIVING STATION**  
**MASTER SLD**

DATE 29-01-2017 PREPARED BY Pravin Gaikwad

CHECKED BY  
K G RANE

APPROVED BY  
K K RAO

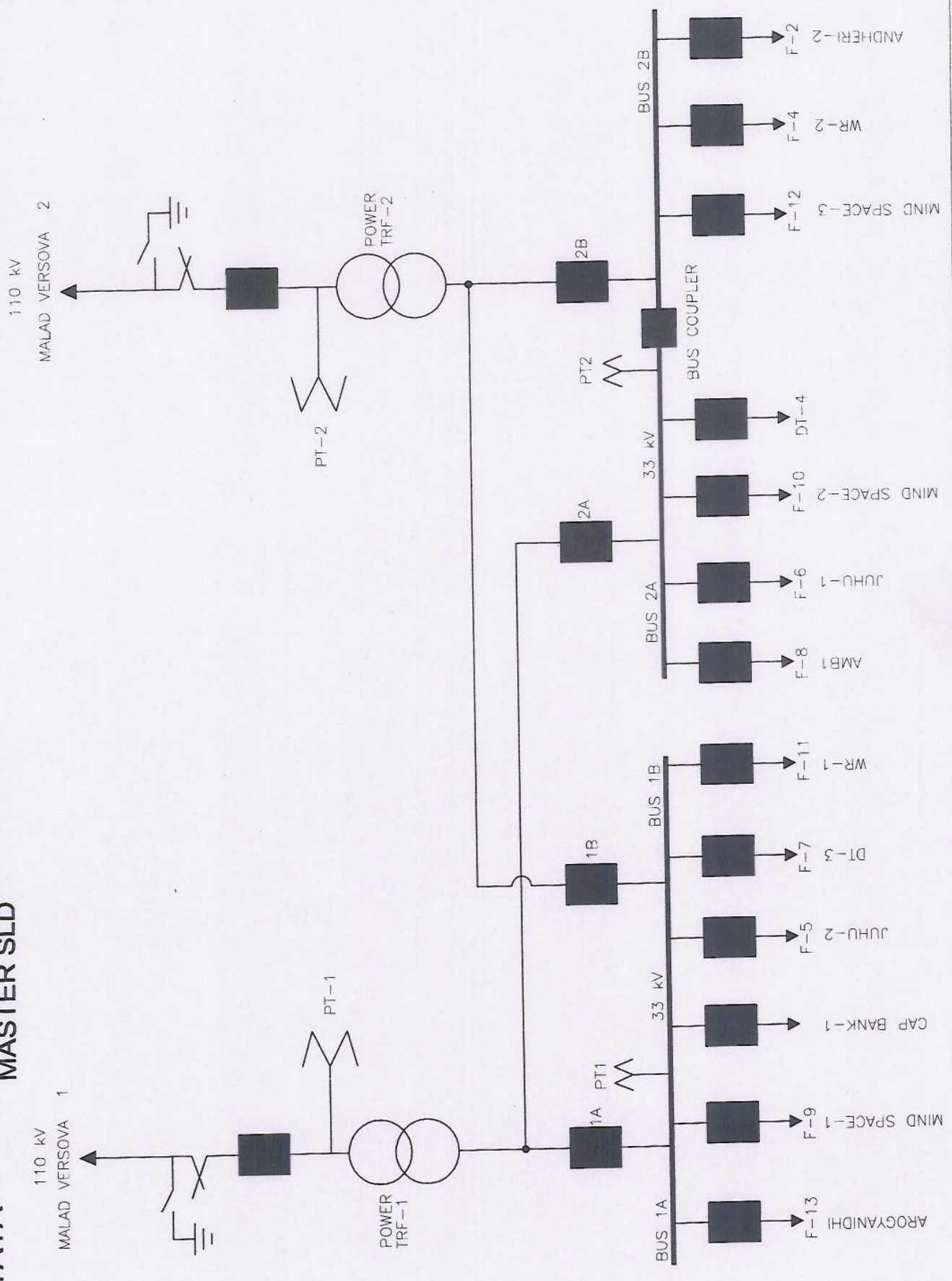




453/0

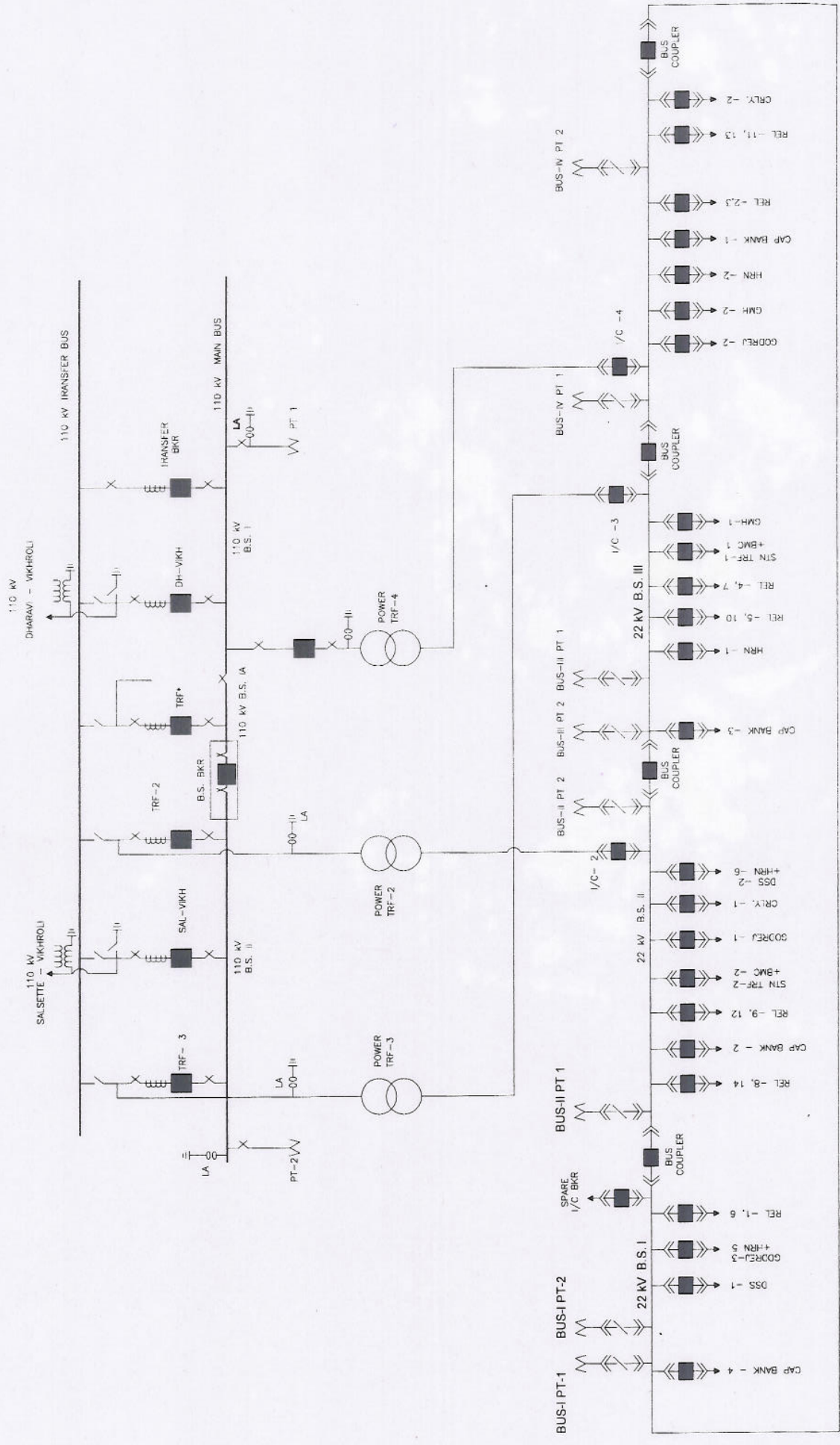
DATE: 29-01-2017  
CHECKED BY: K K DA  
APPROVED BY: K K RAO

**TATA**  
**THE TATA POWER COMPANY LIMITED**  
**VERSOVA RECEIVING STATION**  
**MASTER SLD**



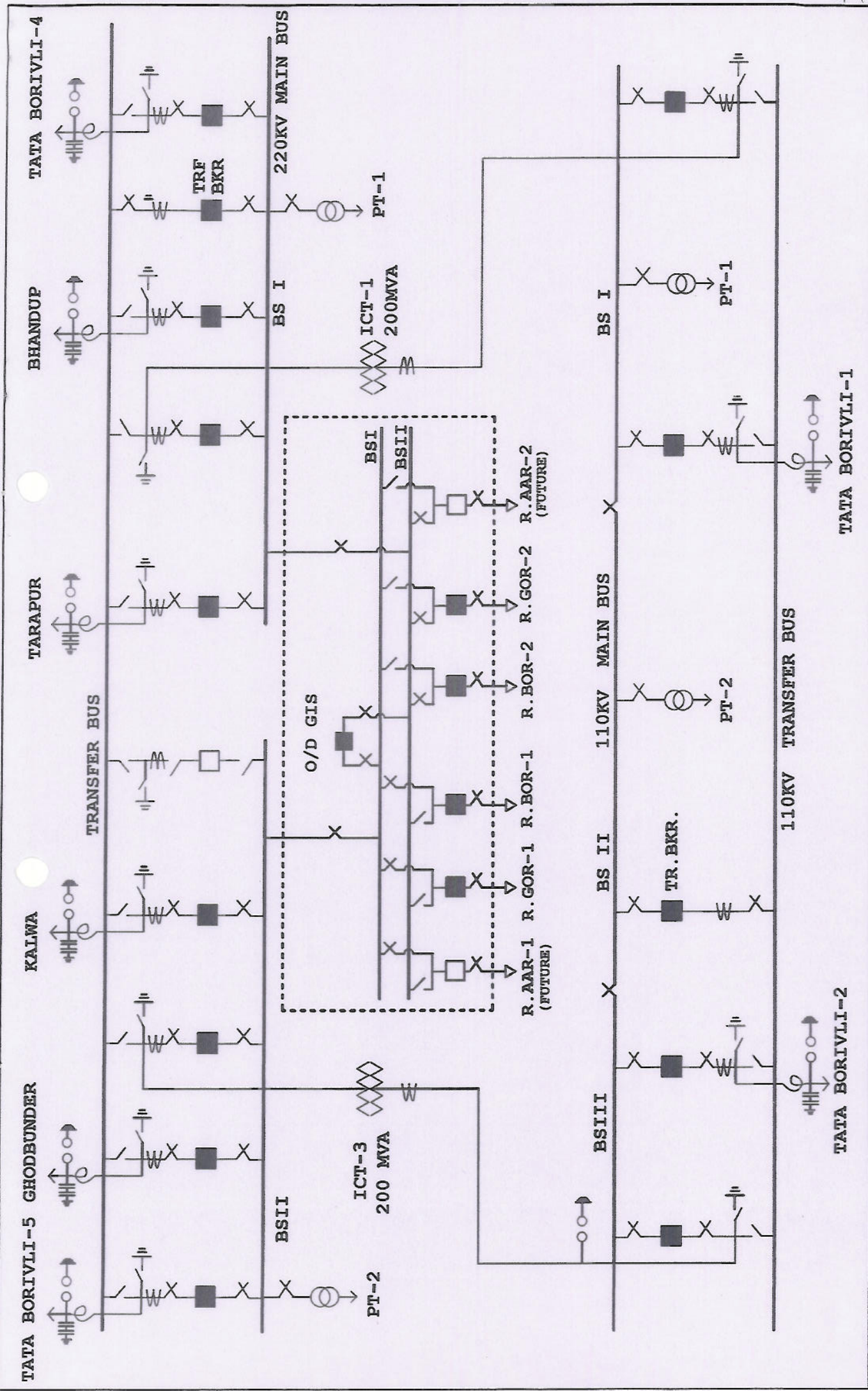
4511/9

**THE TATA POWER COMPANY LIMITED**  
**TATA**  
**VIKIROLI RECEIVING STATION**  
**MASTER SLD**



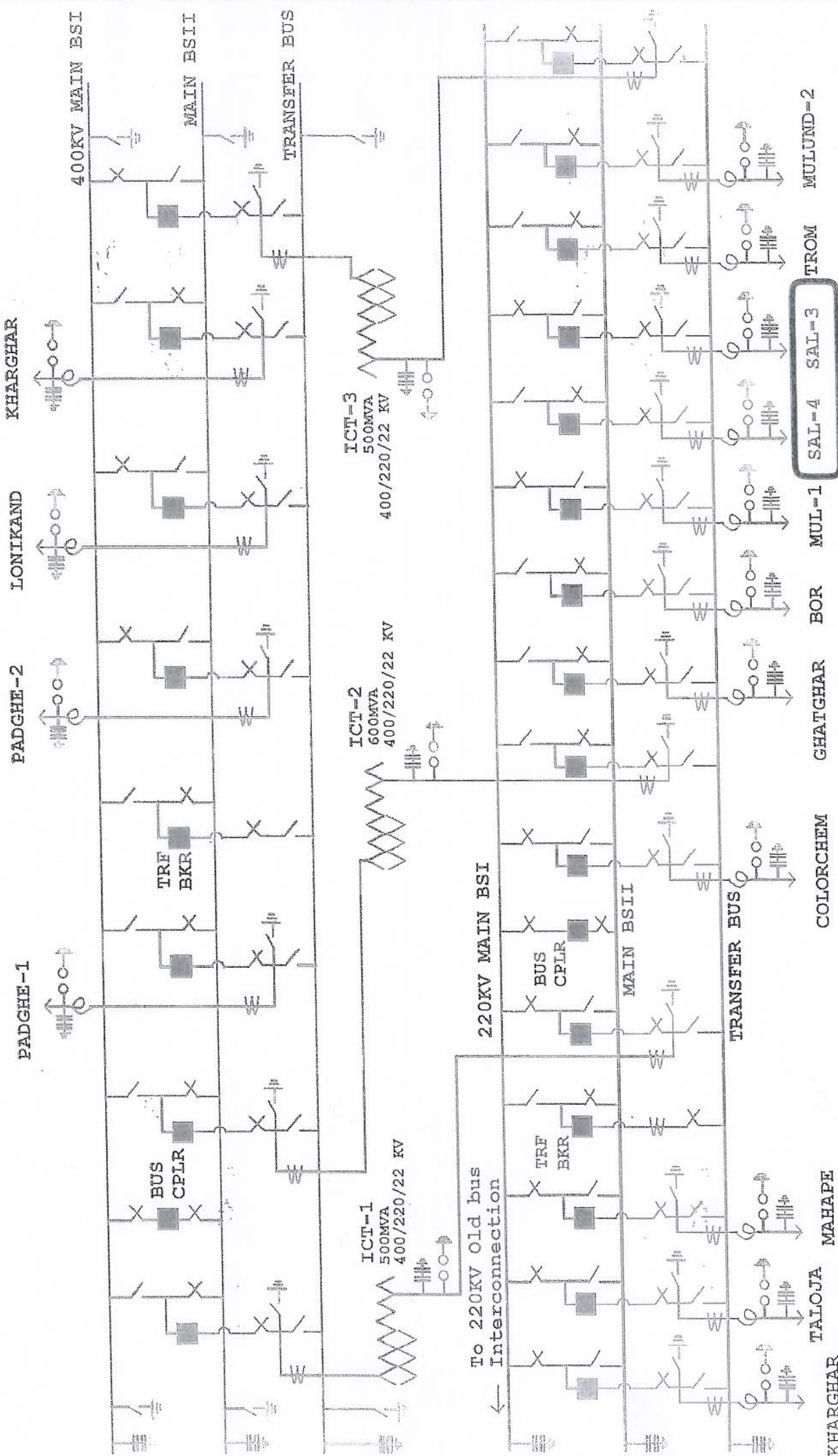
DATE: 29-01-2017  
 PREPARED BY: Pravin Gaikwad  
 CHECKED BY: M D DIAS  
 APPROVED BY: P S SAWANT

44919



<p>TATA POWER CO. LTD. PSSC</p>	<p>MSETCL BORIVLI 220/110KV LAYOUT</p>	<p>Drawing No 32</p>	<p>DATE 01.01.17</p>	<p>Prepared by NPT</p>	<p>Checked by RVS</p>	<p>Approved by PRG</p>
-------------------------------------	--	--------------------------	--------------------------	----------------------------	---------------------------	----------------------------

4411g



**SAL-3**

TATA POWER CO. LTD. PSCC	MSETCL KALWA 400/220 KV LAYOUT	Drawing No 34	DATE 01.01.17	Prepared by NPT	Checked by RVS	Approved by PRG
-----------------------------	--------------------------------	------------------	------------------	--------------------	-------------------	--------------------